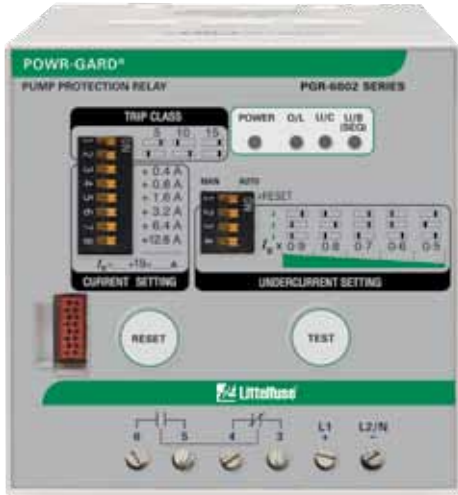


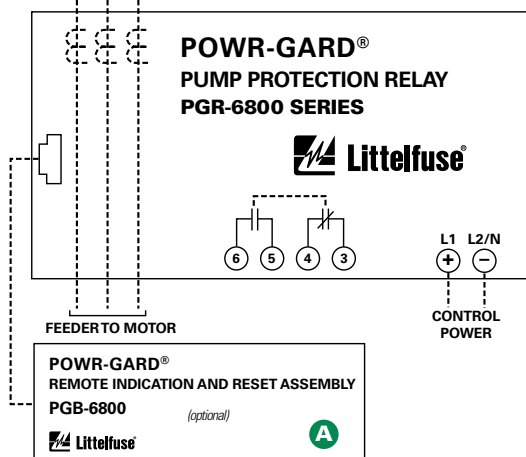
# PGR-6800 SERIES

## Pump Protection Relay



### Wiring Diagram

3 PHASE CTs BUILT INTO RELAY, MOTOR FEEDER IS ROUTED THROUGH RELAY



### Description

The PGR-6800 Pump Protection Relay provides protection for pumps with three-phase motors up to 1,000 Vac. No current transformers are required for currents up to 91 A. The protective functions include overload, phase unbalance, phase loss, phase sequence and undercurrent. The PGR-6800 Pump Protection Relay is ideally suited for applications where operating without load can induce failure. Motor current is monitored and an undercurrent trip occurs when the current drops below a preset level. No additional level detectors are required.

### Features & Benefits

FEATURES	BENEFITS
<b>No CTs Required</b>	No current transformers required for currents up to 91 A
<b>Adjustable Trip Settings</b>	Adjustable overload trip class setting from 5 to 15 for use with a wide variety of pumps
<b>Output Contacts</b>	Form A and Form B ground-fault output contacts for operation of separate annunciation and trip circuits
<b>Remote Indication</b>	Cause-of-trip indication and reset button
<b>Overload</b>	Prevents insulation failures and fires; extends motor life
<b>Phase Loss/Phase Sequence</b>	Detects unhealthy supply conditions
<b>Unbalance (Current)</b>	Prevents overheating due to unbalanced phases
<b>Undercurrent</b>	Detects low level or no-load conditions

### Accessories



#### PGB-6800 Remote Indication and Reset Assembly



Optional remote indication of overload, undercurrent, phase unbalance, phase loss, and phase sequence. Remote reset included.

### Ordering Information

CATALOG/ SYSTEM NUMBER	CONTROL POWER	FULL-LOAD CURRENT
PGR-6801-24	24 Vdc	7-19.6 A
PGR-6801-120	120 Vac	7-19.6 A
PGR-6801-240	240 Vac	7-19.6 A
PGR-6802-24	24 Vdc	19-44.2 A
PGR-6802-120	120 Vac	19-44.2 A
PGR-6802-240	240 Vac	19-44.2 A
PGR-6803-24	24 Vdc	40-90.4 A
PGR-6803-120	120 Vac	40-90.4 A
PGR-6803-240	240 Vac	40-90.4 A

ACCESSORIES	REQUIREMENT	PAGE
PGB-6800	Optional	41

### Specifications

<b>Protective Functions (IEEE Device Numbers)</b>	Overload (49, 51)	Unbalance (current) (46)
	Phase sequence (46)	Phase loss (current) (46)
	Undercurrent (37)	
<b>Input Voltage</b>	See ordering information	
<b>Frequency</b>	50, 60 Hz	
<b>Dimensions</b>	<b>H</b> 83 mm (3.3"); <b>W</b> 78 mm (3.1"); <b>D</b> 99 mm (3.9")	
<b>Test Button</b>	Standard feature	
<b>Reset Button</b>	Standard feature	
<b>Output Contacts</b>	Isolated form A and Form B	
<b>Approvals</b>	UL listed	
<b>Warranty</b>	5 years	
<b>Mounting</b>	DIN	